

INCRA Wonder Fence Addendum

Attaching the Wonder Fence and Hi-Rise Accessories to the Ultra with the Pro II Fence

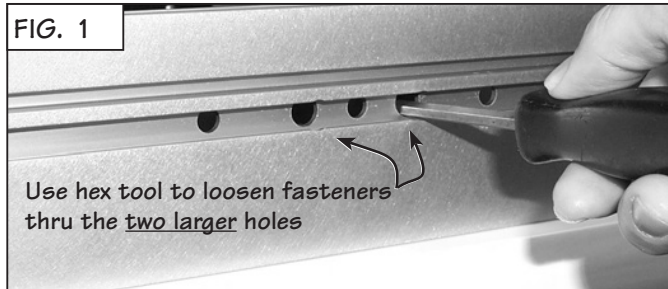
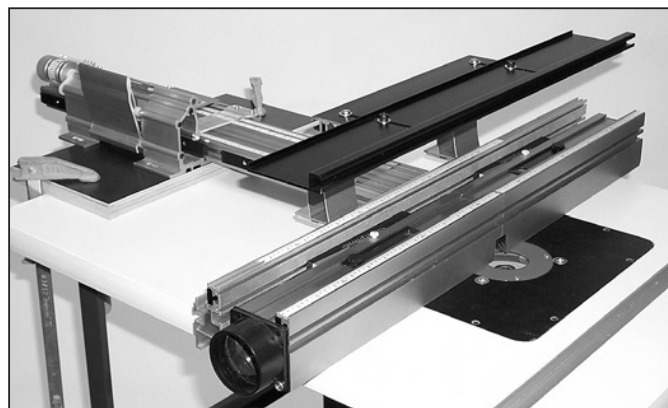
You have purchased the Incra Jig Ultra equipped with the new Pro II Fence. Use the following instructions for attaching the Wonder Fence and Hi-Rise Fence cap braces. These instructions will be used in place of the referenced instructions from the Wonder Fence owner's manual.

ATTACHING TO YOUR INCRA JIG ULTRA

(Replaces "Attaching to your Incra Jig Ultra" from page 3 of the Wonder Fence owner's manual.)

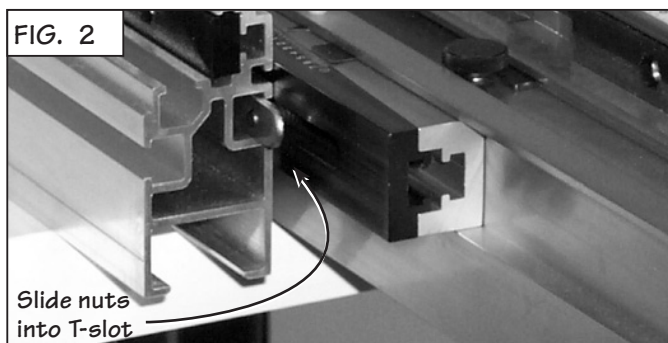
Loosen attachment fasteners

Insert the supplied hex tool through the two large diameter access holes located on the front of each Wonder Fence and loosen the two socket head screws. **Do not remove the rectangular nuts.** For a better view of the fasteners, loosen the thumbscrew and slide the black plastic view panel located on the top of each fence half. See Fig. 1.



Slide Wonder fence into position on Pro II fence

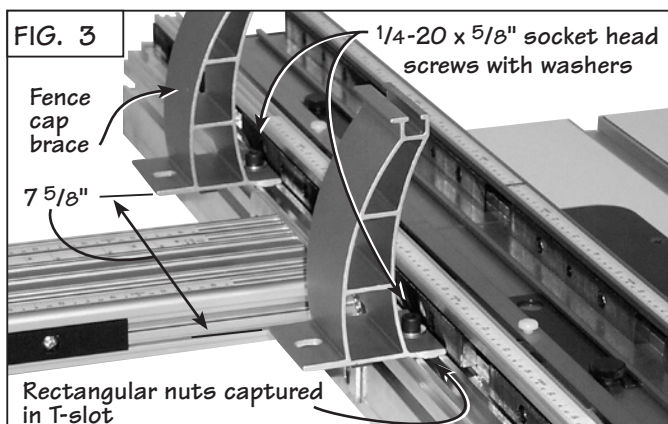
Slide the two rectangular nuts on each Wonder Fence into the T-slot located on the front face of the Pro II Fence. Position the Wonder Fence halves so that your router collet is centered on the opening between the fences, then tighten the two socket head screws on each fence half. Slide the view panel back in place and tighten the thumbscrew. See Fig. 2.



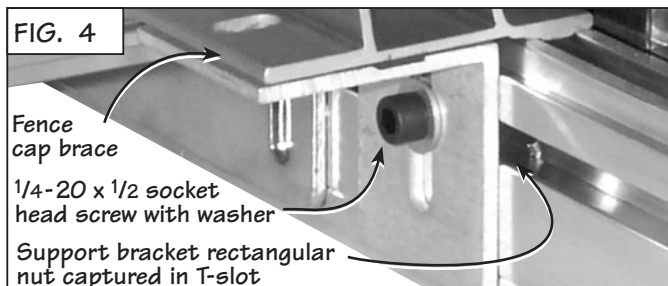
Attach fence cap braces and support brackets

(Replaces Step 1, from page 10 of the Wonder Fence owner's manual.)

Place a 1/4" washer on each of the (2) 1/4-20 x 5/8" socket head screws and insert through the hole on the front of each fence brace. Loosely thread on a 1/4-20 rectangular nut then slide the nut into the T-slot located on the top of the Pro II fence. See Fig. 3. Locate the two braces on the fence spaced 7 5/8" apart. Tighten the fasteners with the supplied hex tool.



Place a 1/4" washer on each of the (2) 1/4-20 x 1/2" socket head screws supplied and insert through the slotted holes located on the support brackets. Loosely thread on a 1/4-20 rectangular nut then slide the nut into the T-slot located on the rear of the Pro II Fence. Position the support brackets directly under the fence cap braces. Slide the support brackets up to firmly contact the underside of the fence cap braces then tighten the socket head screws. See Fig 4. You can now continue the Hi-Rise Fence Cap assembly beginning with Step 2 from page 10 of the Wonder Fence owner's manual.



Made in America by:

Taylor Design Group, Inc.
Printed in the U.S.A.

P.O. Box 810262 ■ Dallas, Texas 75381
© 2023 Taylor Design Group, Inc.

■ Tel: (972) 242-9975 ■ Fax: (972) 242-9985 ■ www.incra.com
INCRA is a registered trademark of Taylor Design Group, Inc.